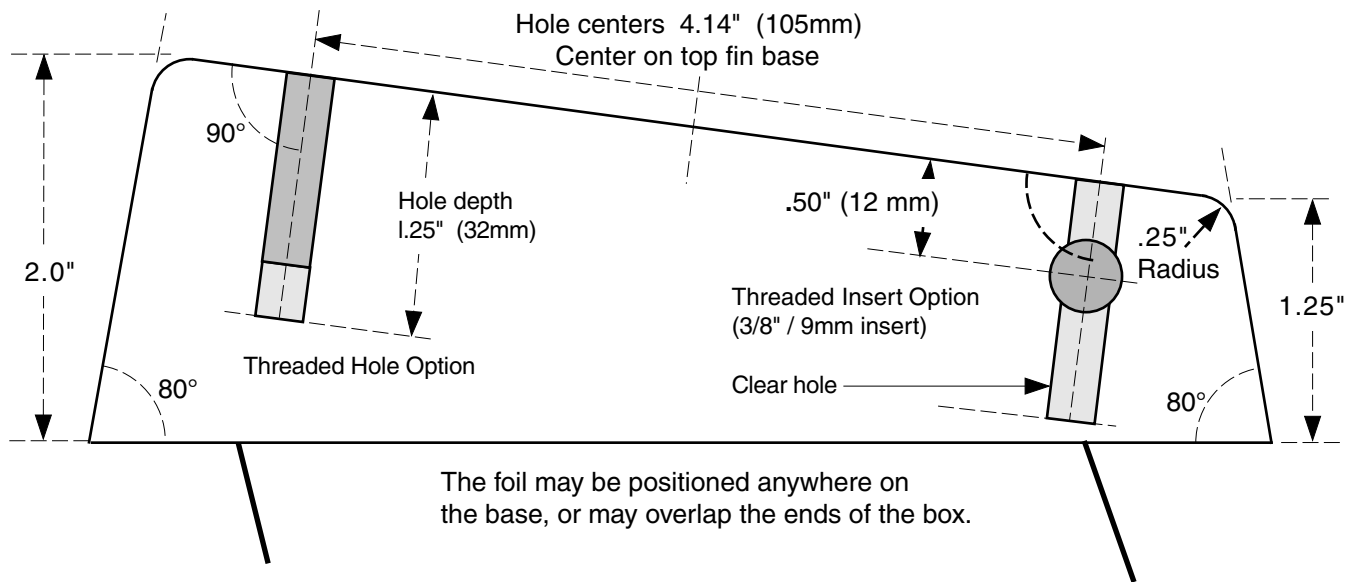


Tuttle Fin Box

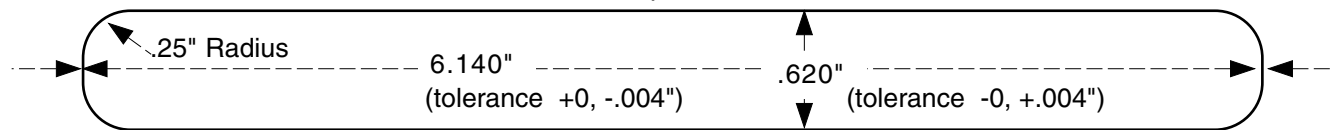
Fin Base Design

This drawing is for building the fin base only.
 These dimensions represent the proper **finished size** for the fin base with clearance to fit the fin box.
 The fin box mold has slightly different dimensions.

Side View



Top View



Waterat Sailing Equipment

P.O.Box 2790
 Santa Cruz, CA 95063 USA 831-768-1520 FAX 831-768-1355

Screw Thread Options

- 1 • Drill & tap base material
 - US 1/4-20 **or** metric 6 x 1 mm
 - Hole depth 1.25" (32 mm)
 - Thread depth 1" (25mm)
- 2 • Place threaded insert in base
 - Drill clear hole .315" (8 mm) x 1.25" (32 mm)
 - Place insert .5" (12mm) below top of base
 - Tap insert - US 1/4-20 **or** metric 6 x 1 mm

- Insert OD - .375" (9.5 mm) or .47" (12 mm)
- Insert material - brass or stainless steel.

Date	August 12, 1985	Scale	1:1
Drawn by	Larry Tuttle	Please use the dimensions - do not measure the drawing.	
Date			
	Revisions		
Nov. 15, 1987	update drawings to match mold dim. (orig. mold 6.156" x .610")		
March 11, 1991	update base dim. for molding		
October 1992	add threaded insert dim./locaton		
May 1993	add tolerances		

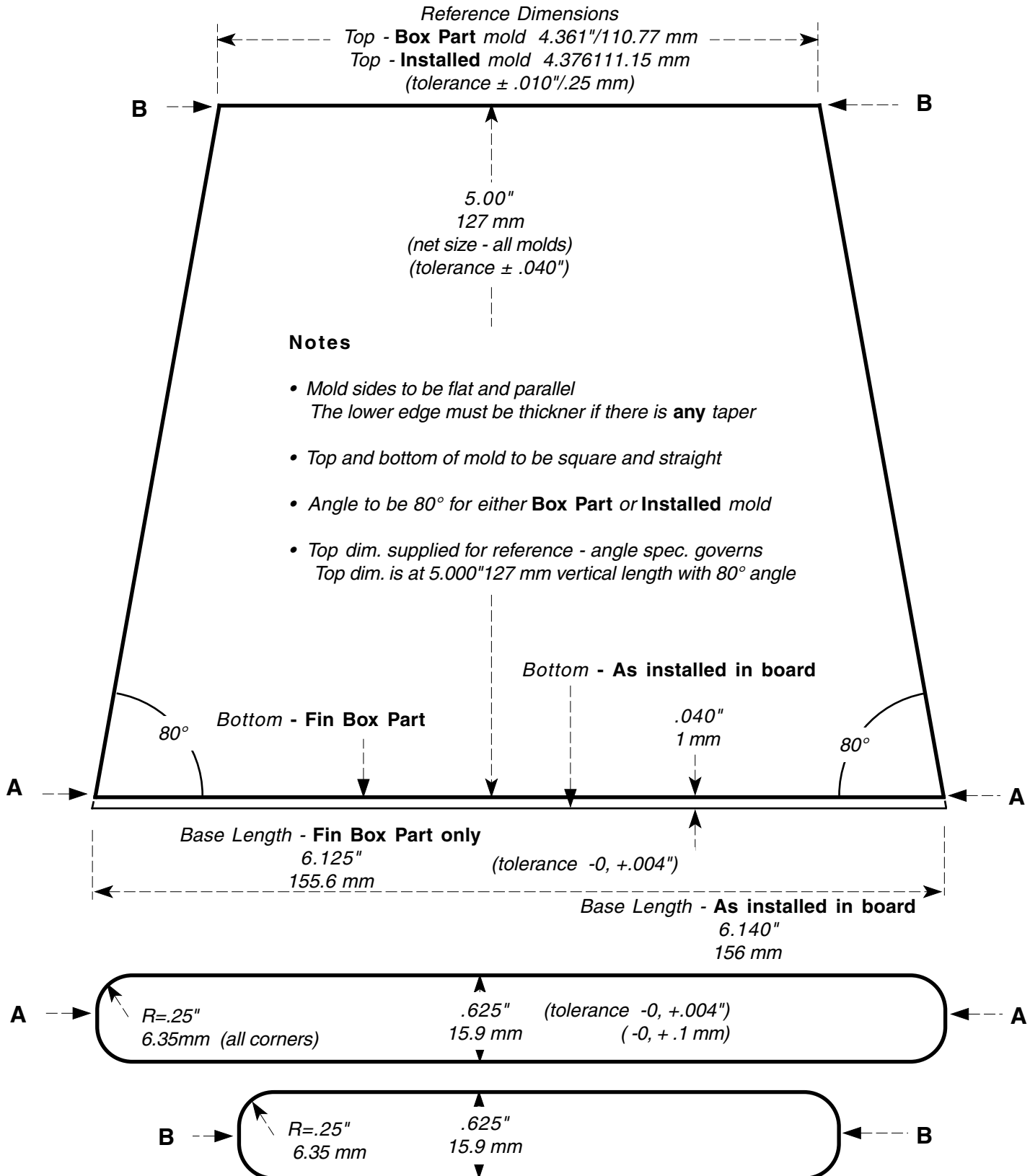
Waterat Sailing Equipment

P.O.Box 2790

Santa Cruz, CA 95063 USA 831-768-1520 FAX 831-768-1355

Revisions

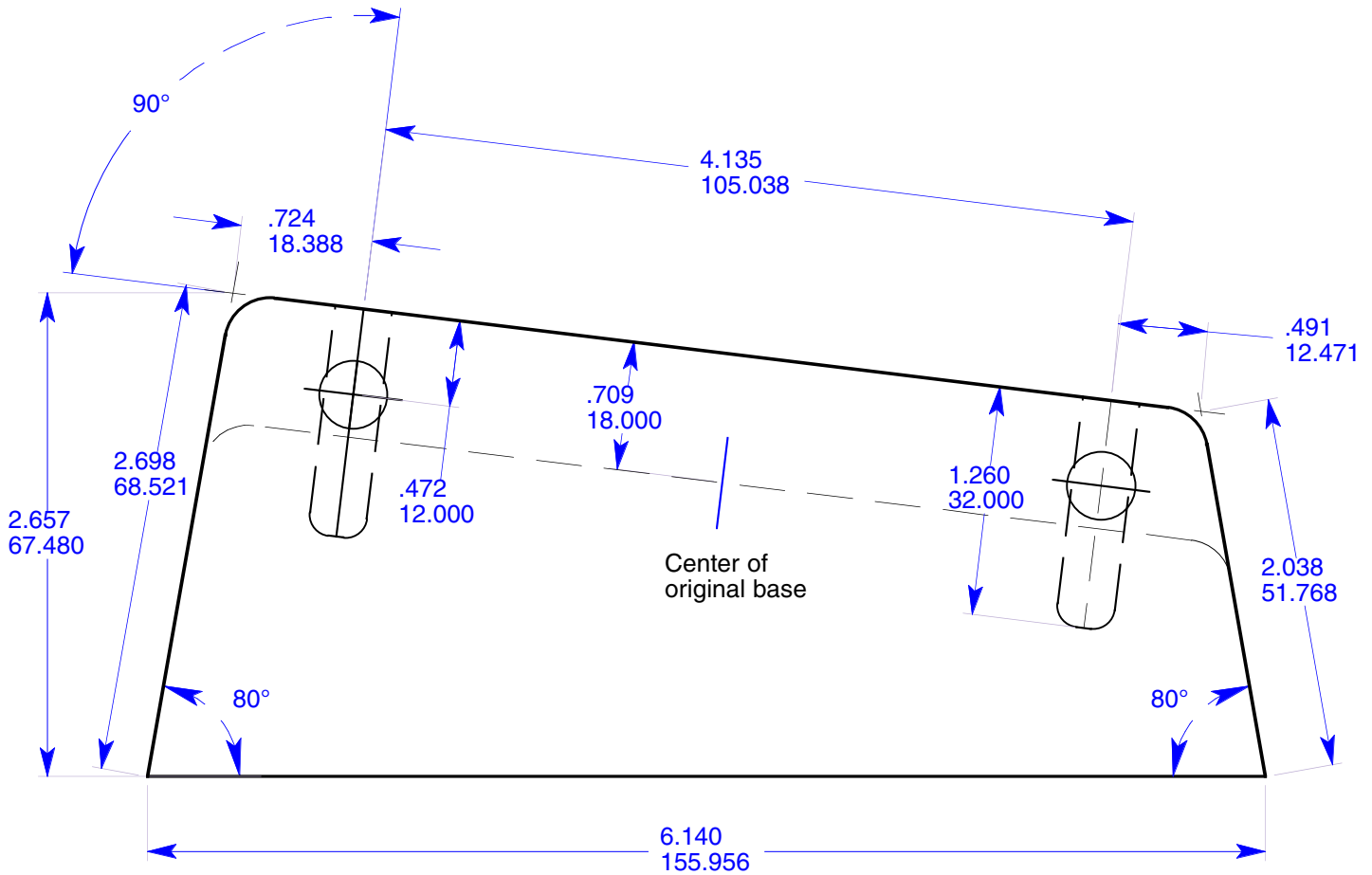
Date	August 12, 1985	Scale	1:1	Date	Detail
Drawn by	Larry Tuttle	Please use the dimensions - do not measure the drawing.		July 18, 1987	update box molds to match dim. (orig. mold 6.156" x .610")
material - alum. plate				March 11, 1991	update dim. for base molding
Tuttle Fin Box System - Fin Box Mold Dimensions					



Waterat Sailing Equipment
P.O.Box 2790
Santa Cruz, CA 95063
831-768-1520 Fax 831-768-1355

Tuttle Fin Base

Extended Version - 67mm tall
18 mm (.75") extension
10/27/98



Crossnuts - 9 mm OD
Thread - US, Australia, Canada - 1/4-20
Japan, Europe - 6 mm

Hole for screw - 7.5 mm
Hole length - 32 mm (allows for a longer screw to be used)